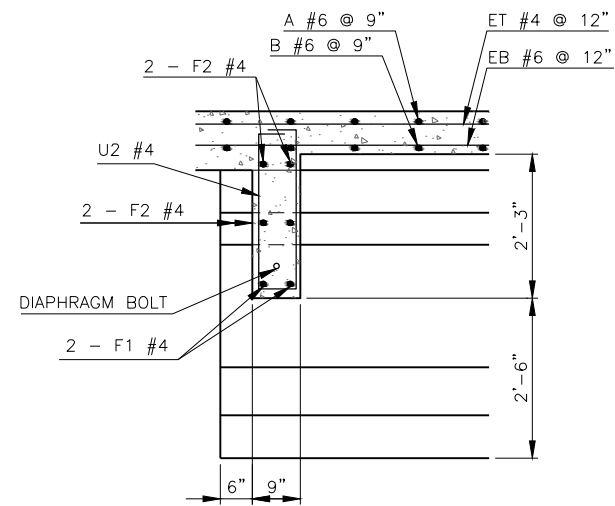
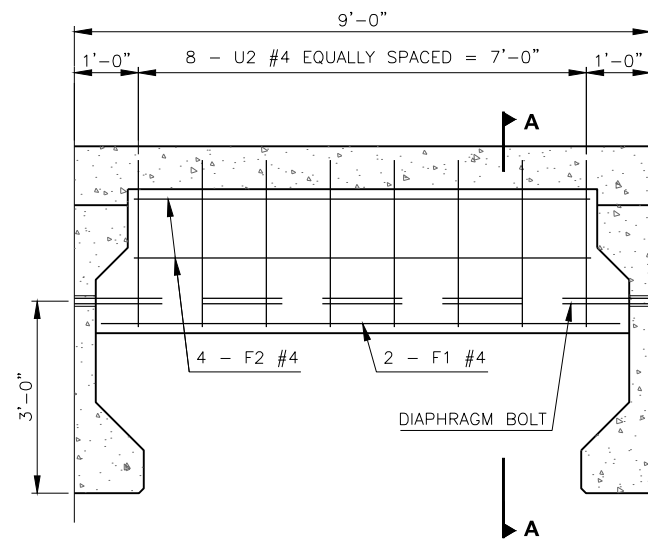


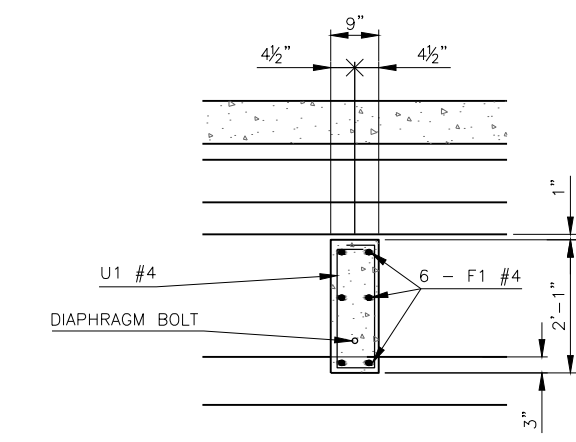
DESCRIPTION	REVISIONS	DATE



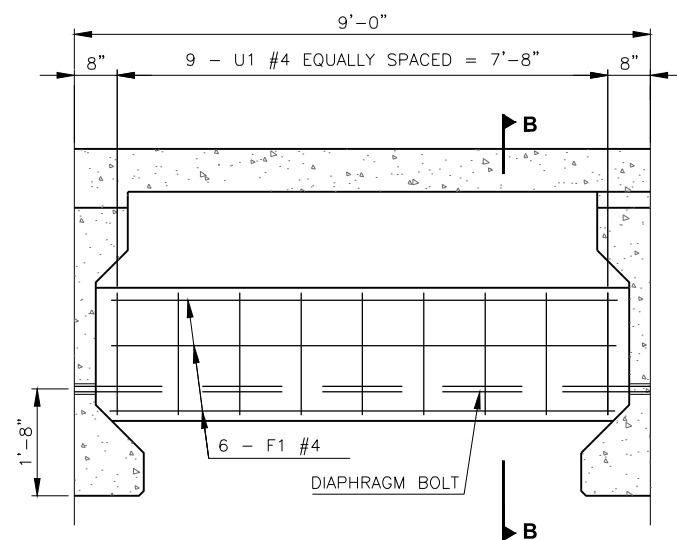
SECTION A-A



END DIAPHRAGM



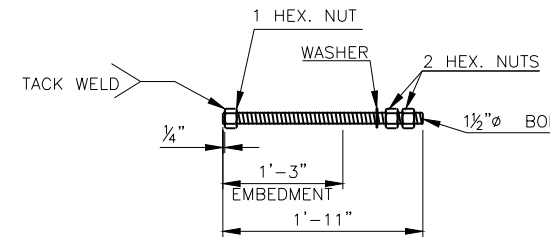
SECTION B-B



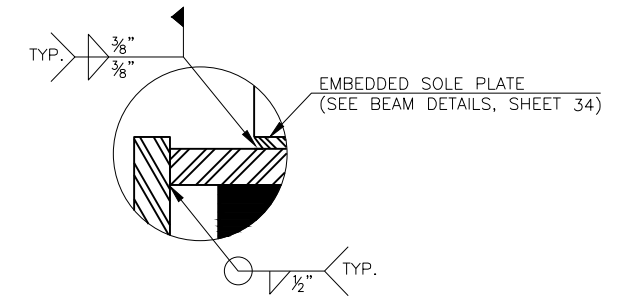
INTERMEDIATE DIAPHRAGM

DIAPHRAGM DETAILS

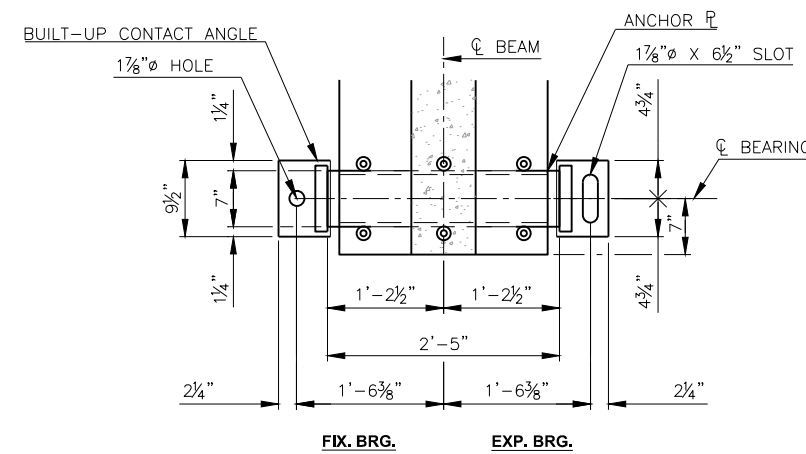
NOTE:
FOR BAR BENDS,
SEE SHEET 36.



ANCHOR BOLT DETAIL



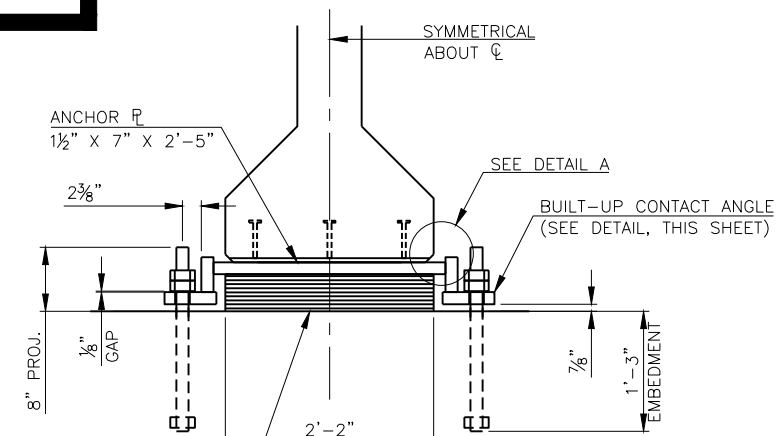
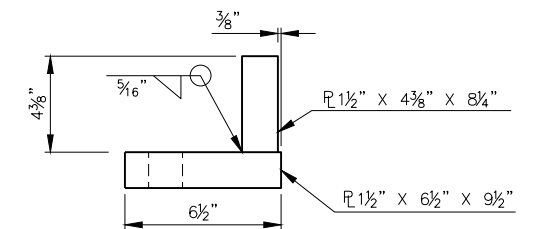
DETAIL A



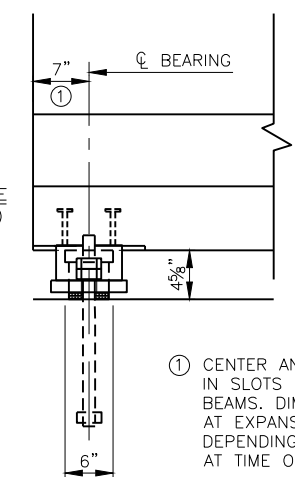
PLAN

DO NOT BOND BEARING PAD
TO THE ANCHOR PLATE.

BUILT-UP CONTACT ANGLE
DETAIL



END VIEW



SIDE VIEW

① CENTER ANCHOR BOLTS
IN SLOTS DURING SETTING OF
BEAMS. DIMENSION MAY VARY
AT EXPANSION BEARINGS
DEPENDING ON TEMPERATURE
AT TIME OF BEAM SETTING.

ELASTROMETRIC BEARING PAD
60 DURO
4 5/8" X 6" X 2'-2"
2 - 1/4" COVER LAYER
8 - 3/8" INTERNAL LAYERS
9 - 1/8" LAMINATE PLATES

BEARING DETAILS

THIS DRAWING
IS PRELIMINARY IN
NATURE. IT IS NOT
A FINAL SIGNED
AND SEALED
DRAWING

DESIGN	J.W.H.
DRAWN	R.A.P.
CHECKED	J.W.H.
APPROV.	T.A.C.
SQUAD	CEC

SH34 OVER N. PERSIMMON CREEK WOODWARD COUNTY
BRIDGE A

DIAPHRAGM AND BEARING
DETAILS

JOB PIECE NO. 28827(04) SHEET NO. 35